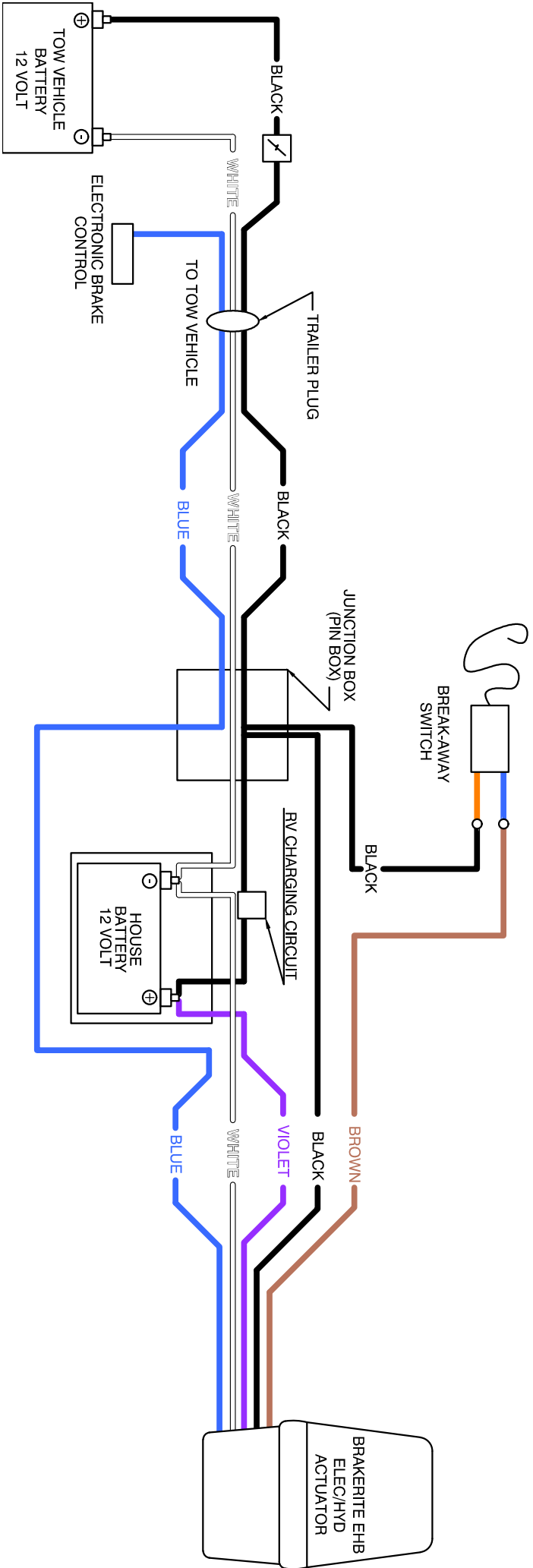


RON RUSSELL (REVISED) WIRING DIAGRAM



Wire the Actuator on RV Trailer

1. White 12 Ga. to neutral – Attached to negative side of battery. No frame grounds.
2. Black 12 Ga. to 12v power – Preferred: This should go into the junction box and attach to the other power wires. Must be wired to power in front of battery cut off switch.
3. Violet 12 Ga. to positive side of house battery
4. Blue 16 Ga. to brake controller – wire into the blue wire bundle in the junction box.
5. Brown 16 Ga. To cold side of breakaway. The cold side is typically the top wire of the breakaway switch and is wired into the blue wire bundle in the junction box. Remove this wire from the blue wire bundle and attach directly to the brown wire on the actuator.